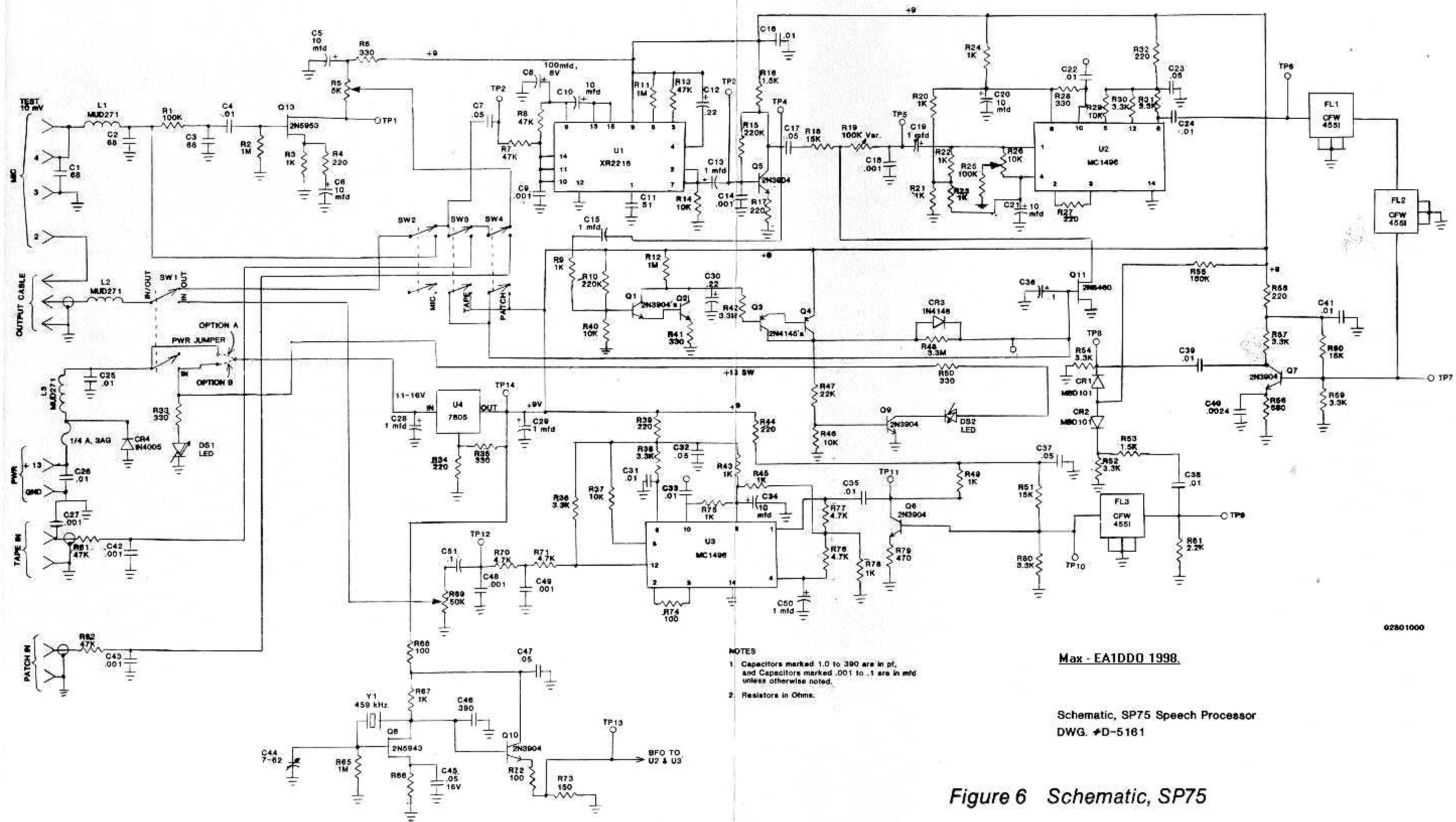


R	R81 R82	R1 R33	R2	R3 R4	R5 R6 R65	R68 R67 R66	R69 R34 R35	R7 R70 R72	R8 R71 R73	R9 R36 R73	R10 R37 R40	R11 R38 R39 R74	R12 R41 R75	R13 R14	R15 R16 R17 R43 R45	R18 R44 R46	R19 R76 R78	R79	R20 R21 R22 R48 R50	R23 R49 R50	R24 R25	R26 R25	R28 R27 R51 R80	R52 R54	R29 R53 R31	R30 R31	R81	R55	R56 R57 R58	R60 R59		
C	C1 C26 C27	C2 C42 C43	C3 C4	C44 C5	C6	C28 C45	C7 C46 C48	C8 C47 C29 C49	C9	C10 C15	C11 C31	C12 C13 C30	C14 C34	C16 C17	C50	C35 C18 C19	C20 C21 C36 C37 C22	C23 C24 C38	C39 C40	C41												
L	L3 L2	L1																														



NOTES
 1. Capacitors marked 1.0 to 390 are in pf. and Capacitors marked .001 to .1 are in mfd unless otherwise noted.
 2. Resistors in Ohms.

Max - EA1DD0 1998.

Schematic, SP75 Speech Processor
 DWG. #D-5161

Figure 6 Schematic, SP75